

# Zertifikat

# Certificate



Zertifikat Nr. *Certificate No.*  
R 50148482

Blatt *Page*  
0004

Ihr Zeichen *Client Reference*  
Z.Y.C.

Unser Zeichen *Our Reference*  
01-SDW- 15030946 005

Ausstellungsdatum  
16.01.2018

*Date of Issue*  
(day/mo/yr)

**Genehmigungsinhaber *License Holder***  
Ningbo Master Soken Electrical  
Co., Ltd.  
No. 19 Zongyan Road  
Industry Zone, Xikou  
Ningbo, Zhejiang 315502  
P. R. China

**Fertigungsstätte *Manufacturing Plant***  
Ningbo Master Soken Electrical  
Co., Ltd.  
No. 19 Zongyan Road  
Industry Zone, Xikou  
Ningbo, Zhejiang 315502  
P. R. China

## Prüfzeichen *Test Mark*

Geprüft nach *Tested acc. to*  
EN 61058-1:2002+A2



**Zertifiziertes Produkt (Geräteidentifikation)**  
*Certified Product (Product Identification)*

**Lizenzentgelte - Einheit**  
*License Fee - Unit*

Switch (Switch)

as page 0001

Change

Circuit Disconnection : Full Disconnection

Remark:

Appendix 1 dated on 09.01.2017 replaces Appendix 1 dated on 08-12-2015.

ANLAGE (Appendix): 1

Dem Zertifikat liegt unsere Prüf- und Zertifizierungsordnung zugrunde und es bestätigt die Konformität des Produktes mit den oben genannten Standards und Prüfgrundlagen. Zusätzliche Anforderungen in Ländern, in denen das Produkt in Verkehr gebracht werden soll, müssen zusätzlich betrachtet werden. Die Herstellung des zertifizierten Produktes wird überwacht.  
This certificate is based on our Testing and Certification Regulation and states the conformity of the product with the standards and testing requirements as indicated above. Any additional requirements in countries where the product is going to be marketed have to be considered additionally. The manufacturing of the certified product is subject to surveillance.

**TÜV Rheinland LGA Products GmbH - Tillystraße 2 - 90431 Nürnberg**  
Tel.: (+49/221)8 06 - 13 71 e-mail: cert-validity@de.tuv.com  
Fax: (+49/221)8 06 - 39 35 http://www.tuv.com/safety

Zertifizierungsstelle



Leeham / Zhuang

Ningbo Master Soken Electrical Co.,  
Ltd.  
Mr. Zhu Youchao  
-  
No. 19 Zongyan Road  
Industry Zone, Xikou  
Ningbo, Zhejiang 315502  
P. R. China

Date : 16.01.2018  
Our ref. : SDW 01  
Your ref.: Z.Y.C.

**Ref : R TÜV-Mark Approval**

Type of Equipment : Switch  
Model Designation : See Certificate  
Certificate No. : R 50148482 0004  
Report No. : 15030946 005

Dear Mr. Zhu Youchao,


The above specified equipment has been tested and found to be in accordance with the relevant requirements.

Please find enclosed your certificate as specified above.

If cancellation of the certificate is submitted by 15 November in a given year, no fee will be charged for the following year.

The certificate is issued with the reservation that the license holder applies all information required in § 6 of the ProdSG related to name and address of the manufacturer or his authorized representative / importer, including their respective contact addresses on the product prior to marketing of the product in the European Economic Area.

With kind regards,  
EN,  
Certification Body

  
Deeham Zhuang

CC: Ningbo Master Soken Electrical

Enclosure

证书的详细资料请登陆[www.certipedia.com](http://www.certipedia.com)查阅,或拨打我司客服热线800 999 3668 / 400 883 1300咨询





**TÜVRheinland®**  
DIN CERTCO



**TÜVRheinland®**

**Certificate No.** R50148482 0004    **Our Reference** 01-SDW-15030946 005    **Appendix No.** 1

**Constructional Data Form (CDF) for Switches for Appliances**

Page 1 of 3

**License holder:** Ningbo Master Soken Electrical Co., Ltd.

**Full address:** No. 19 Zongyan Road, Industry Zone, Xikou, Ningbo, Zhejiang 315502, P.R. China

**Factory:** Ningbo Master Soken Electrical Co., Ltd.

**Full address:** No. 19 Zongyan Road, Industry Zone, Xikou, Ningbo, Zhejiang 315502, P.R. China

**Type or Model Number:** Push-button switch

**Kind of device:** PS18-16-wx-yz

Information/rated values for the switching element:

Type Reference		PS18-16-wx-yz
Rated voltage / voltage range		250V
Nature of supply		AC
Frequency		50Hz
Rated current	<input checked="" type="checkbox"/> Substantially resistive load:	16A
	<input type="checkbox"/> Resistive or/and motor loads:	//
	<input type="checkbox"/> Resistive and capacitive loads:	//
	<input type="checkbox"/> Tungsten filament lamp load:	//
	<input type="checkbox"/> Declared specific load:	//
	<input type="checkbox"/> Current not exceeding 20mA:	//
	<input type="checkbox"/> Specific lamp load:	//
	<input type="checkbox"/> Other:	//
Number of operating cycles		1E4
Type and/or connection of switch		1.3
Disconnection (micro , full or electronic)		Full-disconnection
Contact material		AgCdO/Cu
Ambient temperature limits		T100/55
IP Code		IP00
Pollution degree		2
Rated impulse withstand voltage		2500V
Overvoltage category		II

**TÜV Rheinland Group**

**License holder**

09.01.2018

Date

Signature

Name

Company Stamp and Signature



TÜVRheinland®  
DIN CERTCO



TÜVRheinland®

Certificate No. R50148482 0004 Our Reference 01-SDW-15030946 005 Appendix No. 1

**Constructional Data Form (CDF) for Switches for Appliances**

Page 2 of 3

Degree of protection against electrical shock (only for cord/independently mounted switch)	N/A
---	-----

Terminals /connection:

Type Reference	PS18-16-wx-yz
Terminal designation	1̄; 1̇; 2̄; 2̇; L; N
Type of Terminal/% copper	Solder Terminal/62%
Material/plating of the terminals	Brass(H62)
Tightening torque (N•m)	//
Type of conductor	Prepared flexible conductor
Maximum conductor size (mm <sup>2</sup> )	//
Number of conductors per terminal	1

Parts in contact with current carrying parts:

Part	Manufacturer	Material name	Glow wire temperature	PTI
Enclosure	E I DUPONT DE NEMOURS &CO INC	PA66/101L E41938	UL94V-2	175
Actuating means	E I DUPONT DE NEMOURS &CO INC	PA66/101L E41938	UL94V-2	175
Push button	GE Company	PC141R E121562	UL 94V-2	175

Insulation distances

Creepage (mm)	OC: 6.0	P-P: 7.2	L-A: 8.5
Clearance (mm)	OC: 4.2	P-P: 4.5	L-A: 8.5

OC: Open contacts; P-P: Pole to Pole; L-A: Live part to Accessible part (Actuating means)

TÜV Rheinland Group

License holder

09.01.2018

Date

Signature

Name

Company Stamp and Signature



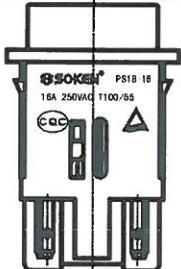
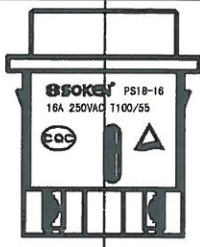
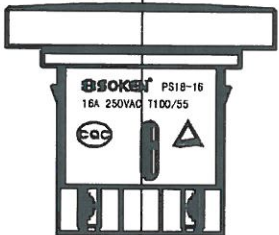
Certificate No. R50148482 0004 Our Reference 01-SDW-15030946 005 Appendix No. 1

**Constructional Data Form (CDF) for Switches for Appliances**

Type nomenclature:

PS18-16-wx-yz

w stands for enclosure type, for detail refer to the chart below.

w	blank	2	3
Enclosure			

x stands for operating type

x = Blank: ON-OFF

x = R: Momentary on

y stands for indicate lamp type and color

y = L: no indicate lamp

y = Blank: Red neon lamp

y = G: Green neon lamp

y = B: Blue neon lamp

y = M: Red moly wire lamp

y = E1: Green LED

y = E2: Blue LED

y = E3: White LED

z stands for push button color

z = A: Black

z = B: Transparent

z = Blank: Red

z = D: Gray

z = E: Blue

z = F: Green

z = G: Yellow

z = H: Purple

z = I: Orange

z = J: Kelly

z = K: Cyan

Remark:

First issue:06.03.2009

Second issue:12.12.2015

The certificate is based on 15030946 001.

Additional model based on15030946 004.

Third issue:09.01.2018

Change to full disconnection based on15030946 005.

TÜV Rheinland Group

License holder

09.01.2018



Date

Signature

Name

Company Stamp and Signature